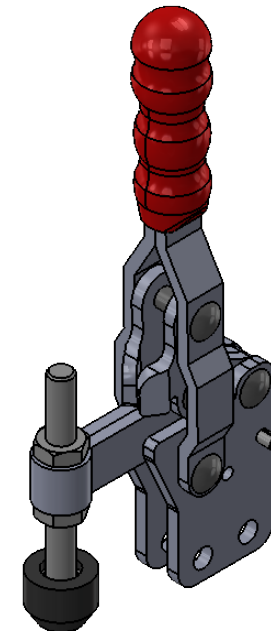
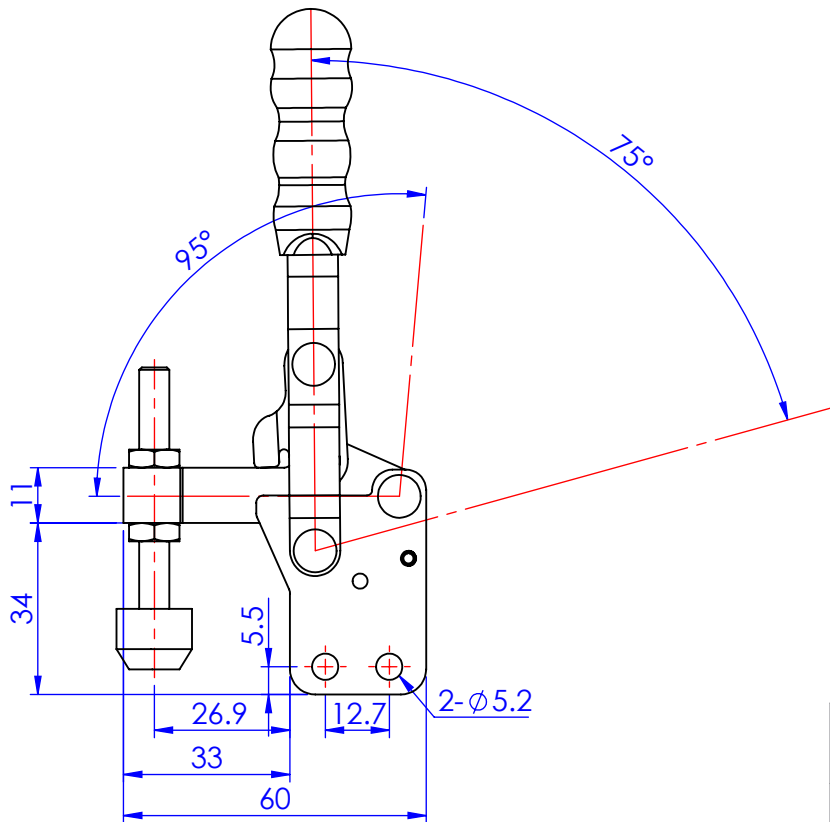
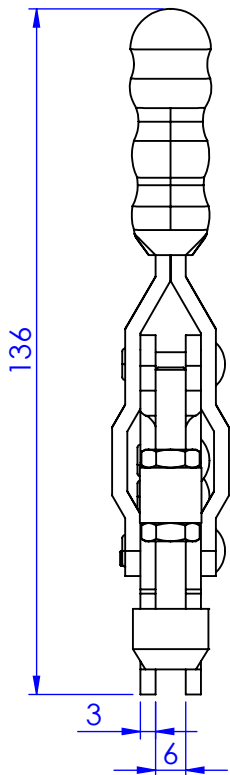
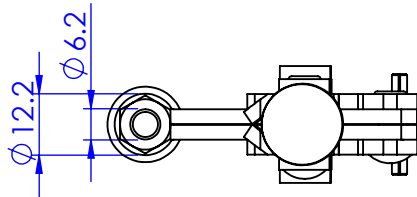


Part No:	GH-11501-C
Holding Capacity:	150Kg
Bar Opens:	95° / 185°
Handle Opens:	75° / 110°
Weight:	0.186Kg
Spindle Supplied:	SA-065010 + NC-06
Flanged Washers:	-



Unit:mm
Scale: 1:1.5

Good Hand UK Ltd

TITLE:

DWG NO. GH-11501-C

A4