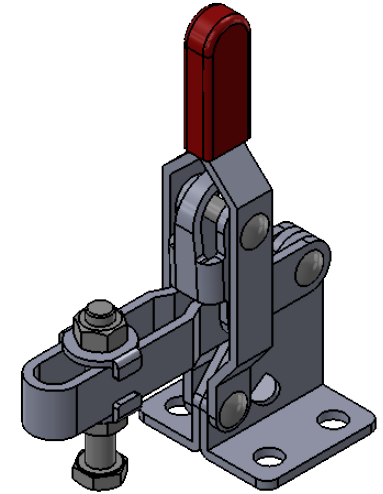
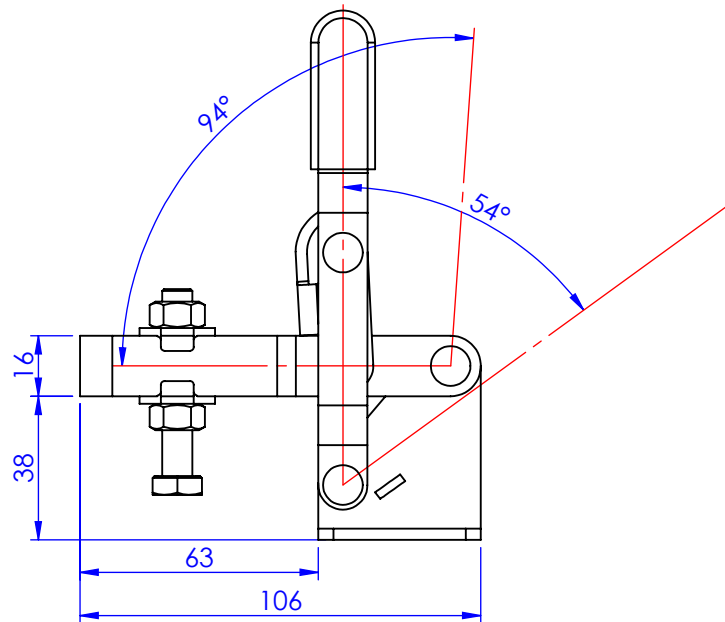
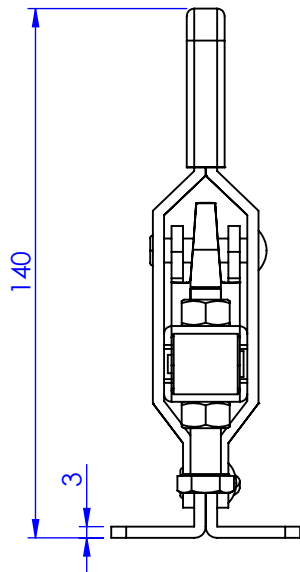
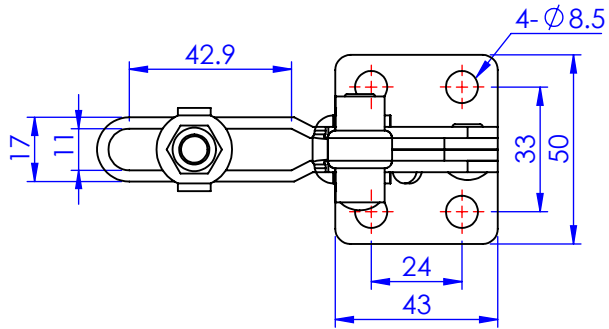


Part No:	GH-11421
Holding Capacity:	200Kg
Bar Opens:	94°
Handle Opens:	54°
Weight:	0.366Kg
Spindle Supplied:	SA-085012
Flanged Washers:	FW-380



Unit:mm
Scale 1:2

Good Hand UK Ltd

TITLE:

DWG NO.

GH-11421

A4