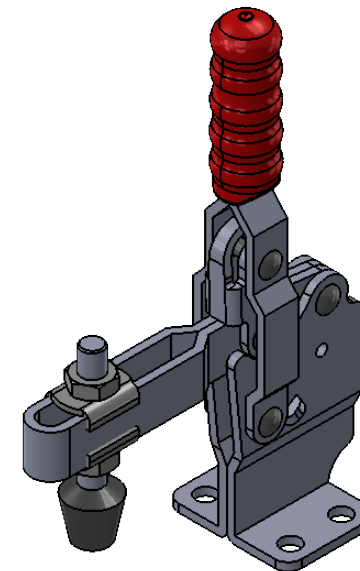
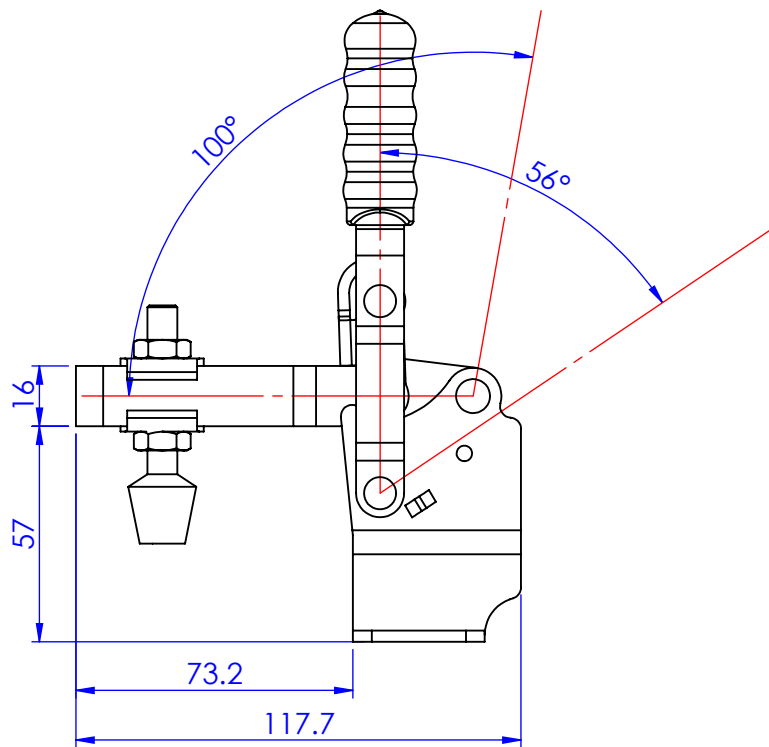
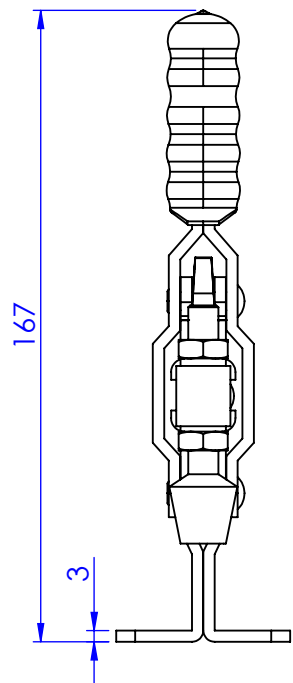
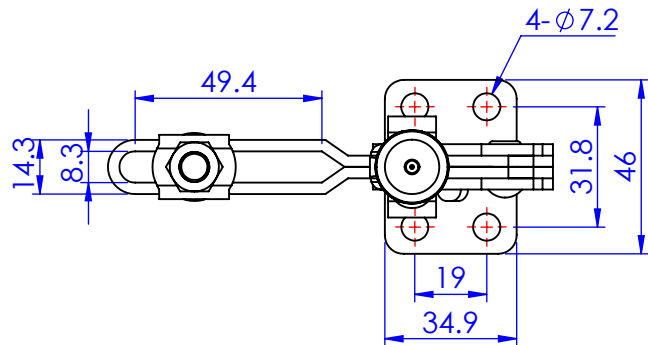


Part No:	GH-12130-HB
Holding Capacity:	227Kg
Bar Opens:	100°
Handle Opens:	56°
Weight:	0.401Kg
Spindle Supplied:	FC-56212
Flanged Washers:	FW-516



Unit:mm

Scale: 1:2

Good Hand UK Ltd

TITLE:

DWG NO.

GH-12130-HB

A4