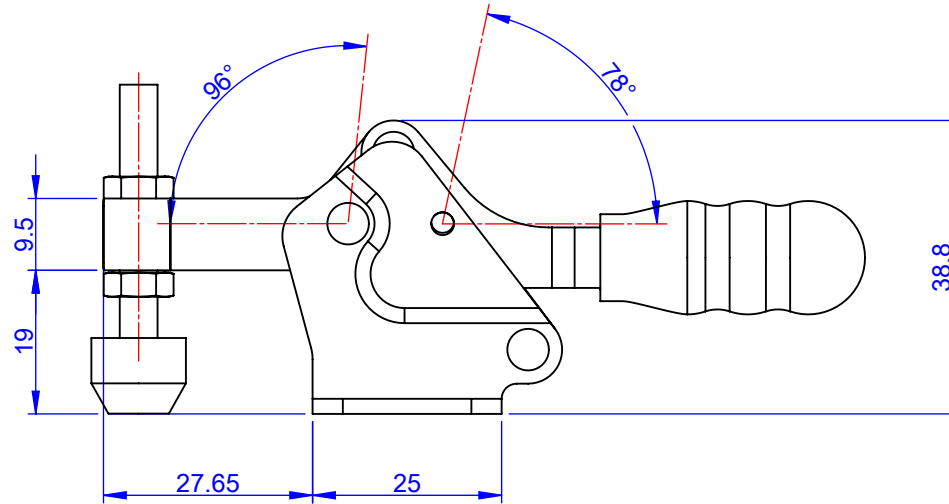
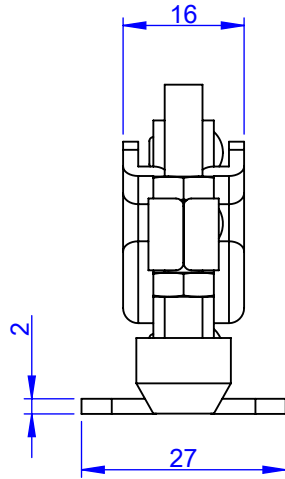
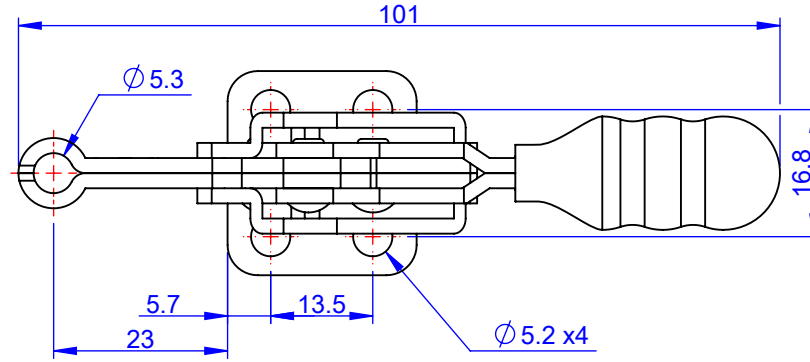
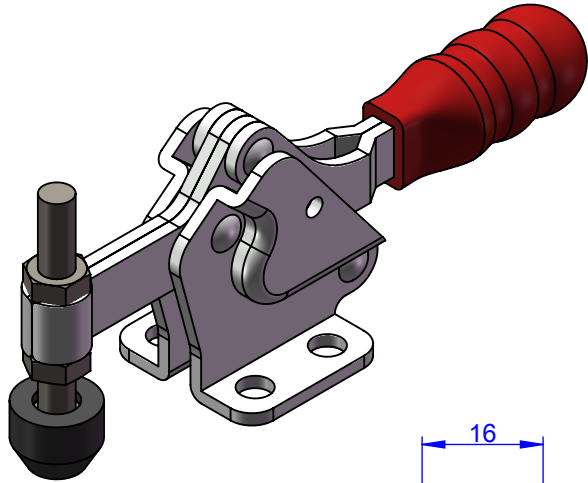


Part No:	GH-20752-C
Holding Capacity:	75 Kg
Bar Opens:	96°
Handle Opens:	78°
Weight:	0.09 Kg
Spindle Supplied:	SA-053508+NC-05



Drawing Scale:1:1
Unit:mm

Good Hand UK Ltd	
TITLE:	
DWG NO.	GH-20752-C
	A4